



- Piezoresistive pressure sensor
- 22 mm body diameter
- Long-term excellent work
- Stainless steel case
- EMC and reverse polarity protection
- Analog 4 ... 20mA / 0 ... 10VDC etc. different outputs
- Different models from 100 mBar to 600 Bar

Applications

- Pneumatic Systems
- Hydraulic Systems
- Machines Equipments
- Air Cooling – Heating Systems
- Water Technologies
- Automation Applications

ATEK BCT 22 series Pressure transmitters offer high performance for demanding commercial and heavy industry applications.

Our products with piezoresistive working principle can be used in water, air, oil etc. applications.

The standard stainless steel housing with IP65 / IP67 protection can work in harsh environments.

The BCT 22 series, which is not affected by electrical fluctuations and reverse connections due to over voltage and reverse polarity protection, has a long life.

BCT 22 TECHNICAL SPECIFICATIONS

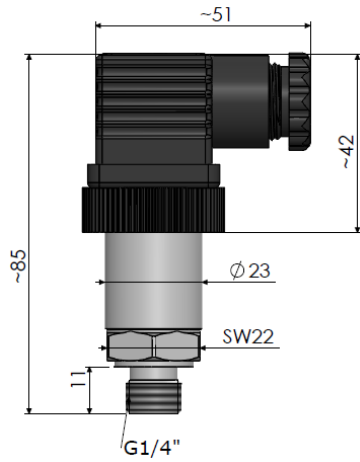
Measurement Range	Diffrent models from 0...100mbar to 0...600Bar Different vacuum models from 0... -100mbar to 0...-1Bar
Measurement Type	Ambient pressure measurement as relative Air, Water, Oil, Non-explosive gases
Working Principle	Piezoresistive
Maximum Compressive Strength	300%F.S. ≤700mbar, 200%F.S. <250Bar 150%F.S ≥250Bar *Can be 3 or 5 times.
Oring – Sealing	Standard NBR, optional FKM(Viton) or EPDM
Output Signal	4...20mA (2 Wire), 0...20mA (3 Wire) 0...10VDC, 1...6VDC, 0...5VDC, Ratiometric etc.
Mechanical Connection	G1/4, G1/8, G1/2, NPT1/4, NPT1/8, NPT1/2, M14, UNF7/16X20M, UNF7/16X20F
Supply Voltage	4-20 mA : 8 ... 32 V _{DC} 0-20 mA : 12 ... 30 V _{DC} 0-10 V : 12 ... 30 V _{DC} Ratiometric : 5 V _{DC}
Operating Current	Maximum 30mA
Accuracy	±%0,5 F.S or ±%0,3 F.S @25° C
Long Term Stability	±%0,3 F.S / year
Response Time	1ms %10...%90 nominal pressure
Protection Class	IP65 or IP67
Operating Temperature	-40°C ... +85°C
Ambient Temperature	-40°C ... +85°C
Body	Stainless steel body - 1.4305 (AISI303) Optional stainless 316L or Titanium
Electrical Connection	Models with socket DIN43650-A, DIN43650-C, M12, Packard or 3 x 0.14mm ² PVC cable (Optional PUR cable)
Weight	65 ... 110 grams (except socket)
Mounting / Tightening Torque	15 ... 20 Nm

F.S : Full Scale (working pressure range)

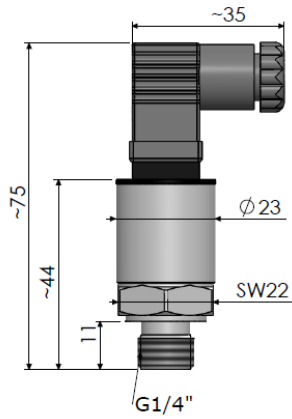
* Product life will be shortened when more pressure is given than working pressure
According to the product, it may be damaged at high pressure of 3-5 times.

** IP67 protection is provided if M12 socket models are equipped with press-printed sockets.

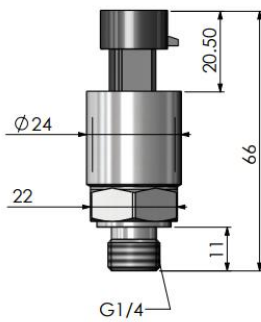
S30 SOCKET : DIN43650-A



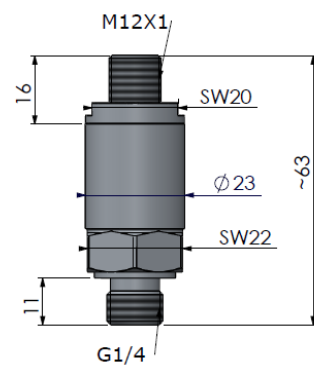
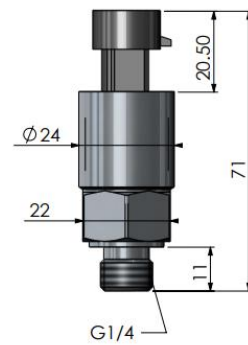
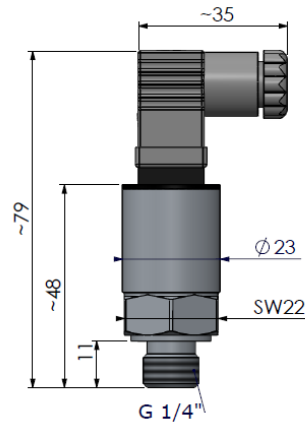
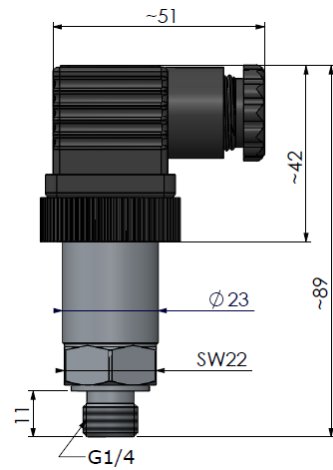
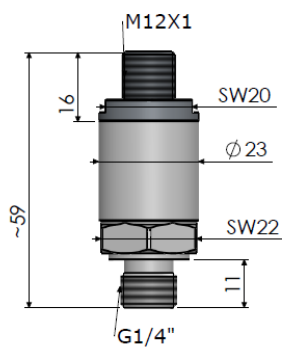
S31 SOCKET : DIN43650-C



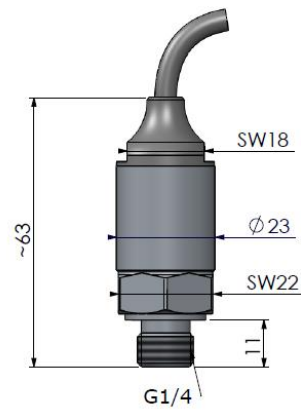
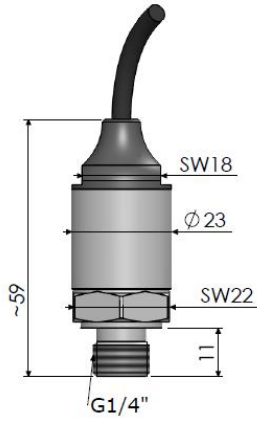
S32 SOCKET : PACKARD



S12/S15 SOCKET : M12



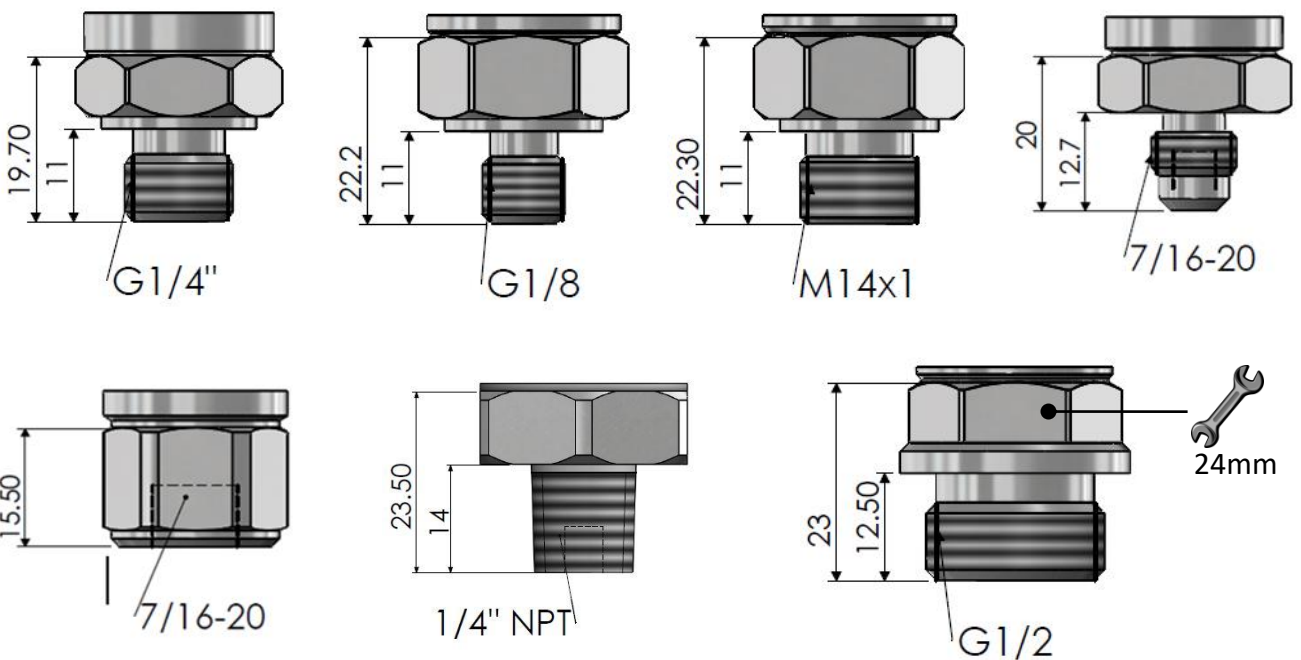
CABLE



		DIN D43650-A	DIN D43650-C	M12		PACKARD	CABLE
		S30 PIN NO	S31 PIN NO	S12 PIN NO	S15 PIN NO	S32 PIN NO	COLOR
CURRENT OUTPUT	+Vcc	2	2	2	1	2	RED
	Analogue Output	1	1	1	3	1	BLACK
VOLTAGE OUTPUT	+Vcc	2	2	2	1	2	RED
	GND	1	1	1	3	1	BLACK
	Analogue Output	3	3	3	2	3	YELLOW

- * For IP67 protection at model with M12 socket, press-printed cable should be used. Otherwise, it can not be used under IP67 conditions.
- ** There are PVC (standard) or PUR (optional) cable options in the model with cable.
- *** On models with the PACKARD socket, the letter of pin numbers are 1(C), 2(B), 3(A).

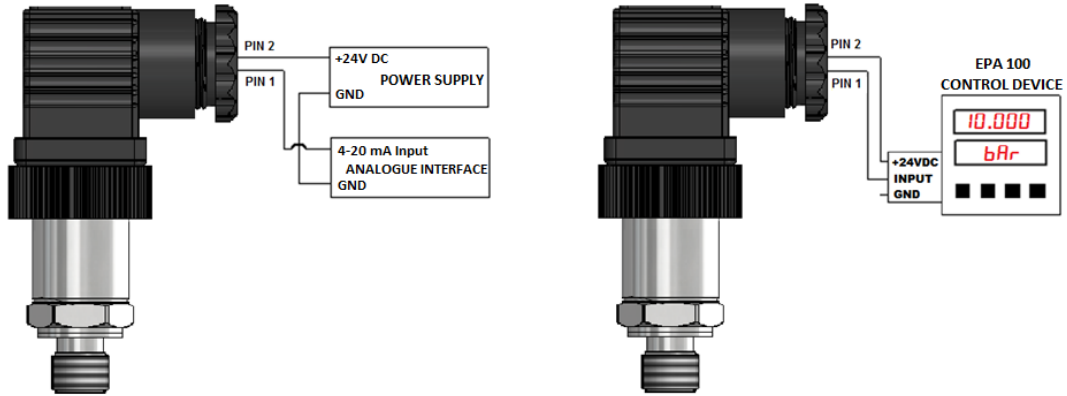
MECHANICAL CONNECTION



- * In the case of the G1/2 model, the dimension of key slot is 24mm. All other models are 22mm.
- ** Do not turn the product by holding from socket during installation. Otherwise, the product may be damaged.

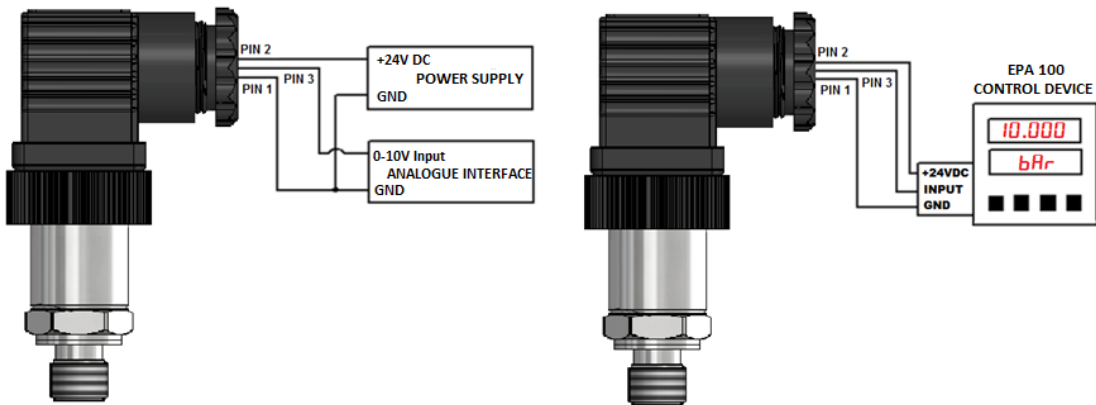
2 Wire 4-20mA Connection Socket Pin No	Signal
1	4...20mA Analogue Output
2	+8...32 VDC (Supply)

Sample Connection:



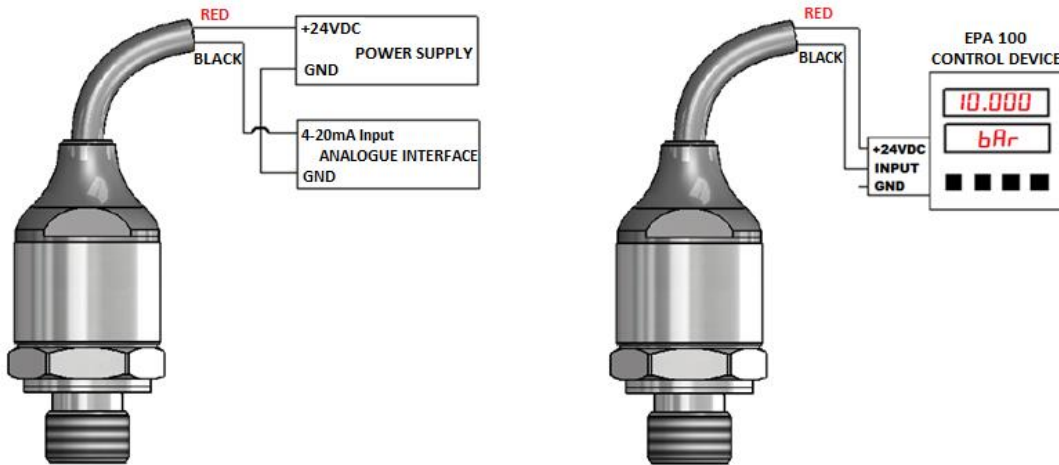
3 Wire 0-10VDC or 0-20 mA Connection Socket Pin No	Signal
1	GND
2	+12...30 VDC (Supply)
3	0...10VDC or 0-20 mA Output

Sample Connection:



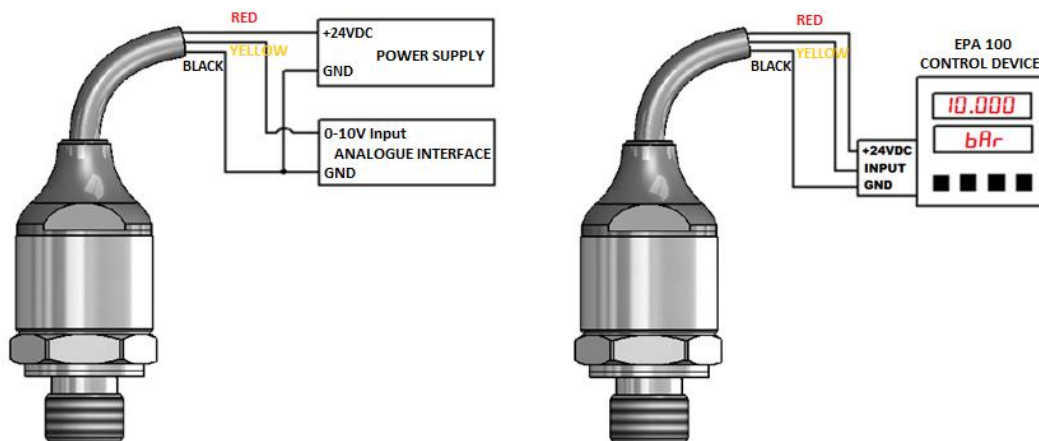
2 Wire 4-20mA Connection Cable Color	Signal
BLACK	4...20mA Analogue Output
RED	+8...32 VDC (Supply)

Sample Connection:



3 Wire 0-10VDC or 0-20 mA Connection Cable Color	Signal
BLACK	GND
RED	+12...30 VDC (Supply)
YELLOW	0...10VDC or 0-20 mA Output

Sample Connection:



WARNING

Wrong connections disrupt the sensor.

If water pressure measurement is used, insert M5 valve to the transmitter. Otherwise, the pressure peaks of water pump disrupts the transmitter.

ORDER CODING

Model

BCT 22

10Bar

A

G1/4

S30

-

Output Signal

Voltage Output Product

V : 0-10VDC (standard)

V1 : 0-5VDC

V2 : 1-6VDC

V3 : 0,5-4,5VDC

V4 : 0,5-5,5VDC

V5 : 1-5VDC

V6 : 1-10VDC

Ratiometric Products

V8 : Ratiometric 0.5-4.5VDC

V9 : Ratiometric 0-5VDC

Current Output Products

A : 4-20mA (2-wire) (standard)

A0 : 0-20mA (3-wire)

* Ask for other options.

Electrical Connection

S30 : DIN43650-A type large type socket

S31 : DIN43650-C type small type socket

S12 : M12x1 4 pin

S15 : M12x1 4 pin (1 supply, 3 output)

S32 : Packard socket

2M : 2 meters cable

* Ask for other options.

Working Pressure Range

0...-100mBar : Vacuum 0...-100mbar

-1...0Bar : Vacuum -1...0BAR

0...-1Bar : Vacuum (Reverse Calibration)

100mBar : 0...100mbar

250mBar : 0...250mbar

400mBar : 0...400mbar

600mBar : 0...600mbar

1Bar : 0...1BAR

10Bar : 0...10BAR

16Bar : 0...16BAR

25Bar : 0...25BAR

100Bar : 0...100BAR

160Bar : 0...160BAR

250Bar : 0...250BAR

400Bar : 0...400BAR

600Bar : 0...600BAR

* Ask for other options.

Mechanical Connection

G1/4 : G1/4 Connection

G1/8 : G1/8 Connection

G1/2 : G1/2 Connection

NPT1/4 : NPT1/4 Connection

NPT1/8 : NPT1/8 Connection

NPT1/2 : NPT1/2 Connection

M14 : M14x1 Connection

7/16M : UNF7/16x20M Connection

7/16F : UNF7/16x20F Connection

* Ask for other options.

Body Material/ Custom Coding

Empty : Stainless 303

E316 : Stainless 316L

* Ask for other options.

Sample Code :

BCT 22 100mBar A G1/4 S30

Features: 0...100mbar working range, 4-20mA analogue output (2 wire connection), G1/4 connection, DIN43650-A socket, stainless 303 body

BCT 22 10Bar A G1/4 S30 E316

Features: 0...10BAR working range, 4-20mA analogue output (2 wire connection), G1/4 connection, DIN43650-A socket, stainless 316L body

BY-PRODUCTS

BSS Series Pressure Transmitter Coolers

[Max. 250 °C](#)

EPA Series Measurement and Control Devices

[48x48mm model EPA 100](#)

[74x74mm model EPA 200](#)

[96x48mm model EPA 300](#)



Atek Elektronik Sensör Teknolojileri Sanayi ve Ticaret A.Ş.



Gebze OSB, 800. Sokak, No:814 Gebze/KOCAELİ/TURKEY

Tel: +90 262 673 76 00

Fax: +90 262 673 76 08

www.ateksensor.com

info@ateksensor.com